

SBL200-12HR V0 Xtreme (12V55Ah)

Applications

- Uninterruptable Power Supply (UPS)
- Electric Power System (EPS)
- Emergency backup power supply
- Emergency light
- Railway signal
- Alarm and security system
- Communication power supply
- DC power supply

Certificates



Conform to
IEC60896-21&22



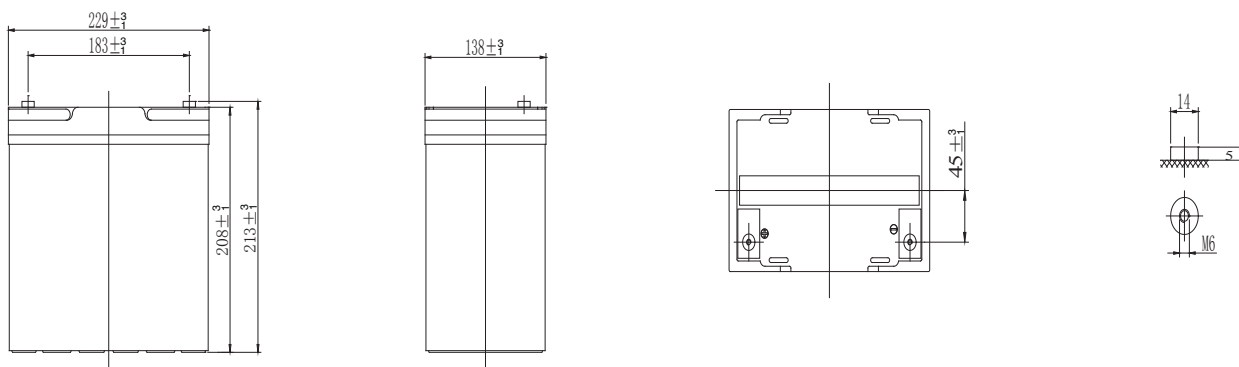
Specifications

Nominal Voltage	12V	Operating Temp. Range	Discharge: -20~60°C
Nominal Capacity	55Ah (C ₁₀ , 1.8V/cell)		Charge: -10~45°C
Approx. Weight	17.0kg		Storage: -20~60°C
Terminal	M6	Standby Use	Initial Charging Current less than 17.4A.
Container Material	ABS UL94 V0		Voltage 2.23-2.30V at 20°C.
Rated Capacity (20°C)	55Ah/5.5A, 10hr, 10.8V		Temperature Coefficient -20mV/°C.
	47.1Ah/9.42A, 5hr, 10.5V	Capacity affected by Temp.	40°C 103%
	43.17Ah/14.39A, 3hr, 10.5V		25°C 100%
	42.6Ah/42.6A, 1hr, 9.6V		0°C 86%
Max. Discharge Current	550A (5s)	Self Discharge	SSB batteries may be stored for up to 6 months at 20°C and then a freshening charge is required. For higher temperatures the time interval will be shorter.
Internal Resistance / Impedance (1kHz)	Approx. 6.0mΩ	Life Expectancy	>12 years according to EUROBAT
Nominal Oper. Temp. R.	20±2°C		

Dimensions

■ M6 Terminal

Unit: mm | Dimensions: 229 Length X 138 Width X 208 Height (213 Height incl. Terminal)



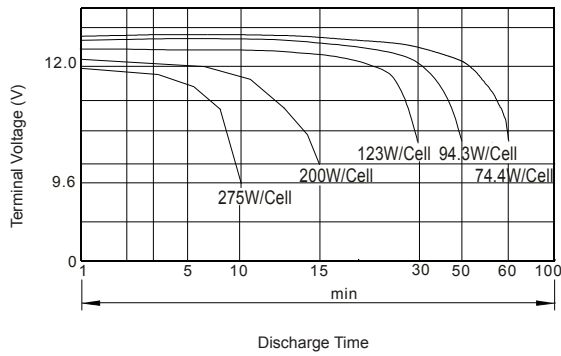
Constant Current Discharge (Amperes) at 20°C

End Voltage	3min	5min	10min	15min	20min	25min	30min	45min	60min	90min	3h	5h	8h	10h
1.60V/cell	315	248	164	119	99	84.1	73.3	54.1	42.6	28.75	15.51	10.04	6.72	5.72
1.65V/cell	301	238	159	116	97	83.5	72.8	53.6	42.2	27.94	15.07	9.83	6.57	5.67
1.67V/cell	294	228	154	115	96	83.0	72.3	53.5	41.9	27.65	14.96	9.70	6.50	5.67
1.70V/cell	283	213	147	113	95	82.2	71.7	53.2	41.6	27.32	14.80	9.60	6.42	5.61
1.75V/cell	261	195	138	108	92	79.6	69.5	52.0	41.1	26.69	14.39	9.42	6.30	5.56
1.80V/cell	248	183	125	99	85	72.9	65.1	50.0	39.7	26.00	13.99	9.19	6.16	5.50

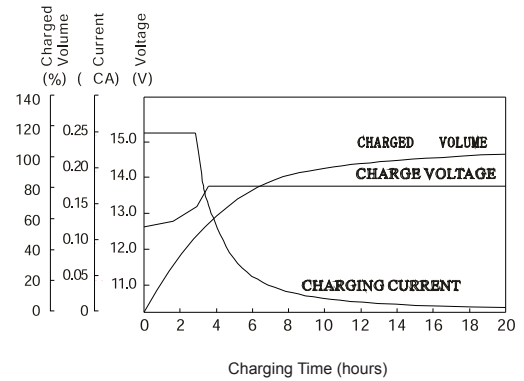
Constant Power Discharge (Watts/cell) at 20°C

End Point	3min	5min	10min	15min	20min	25min	30min	45min	60min	90min	3h	5h	8h	10h
1.60V/cell	497	391	275	204	172	149	131	101	76.4	52.54	30.87	19.88	13.14	10.88
1.65V/cell	488	389	274	203	171	148	130	100	76.3	51.14	30.13	19.47	12.86	10.67
1.67V/cell	466	384	270	200	170	144	128	97.7	76.2	50.43	29.71	19.26	12.72	10.56
1.70V/cell	453	354	258	196	166	142	126	96.4	76.0	49.74	29.30	19.05	12.59	10.46
1.75V/cell	425	334	240	188	163	141	123	94.3	74.4	48.35	28.57	18.64	12.32	10.23
1.80V/cell	405	316	222	177	152	132	118	91.4	72.6	47.03	27.74	18.15	12.05	10.01

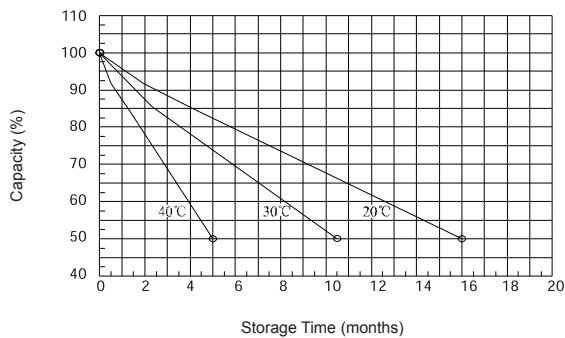
Discharge Characteristics



Float Charging Characteristics



Self-Discharge Characteristic



Effect of Temperature on Long Term Float Life

