



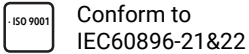
SBL28-12i (12V28Ah)



Applications

- Uninterruptable Power Supply (UPS)
- Electric Power System (EPS)
- Emergency backup power supply
- Emergency light
- Railway signal
- Alarm and security system
- Communication power supply
- DC power supply

Certificates



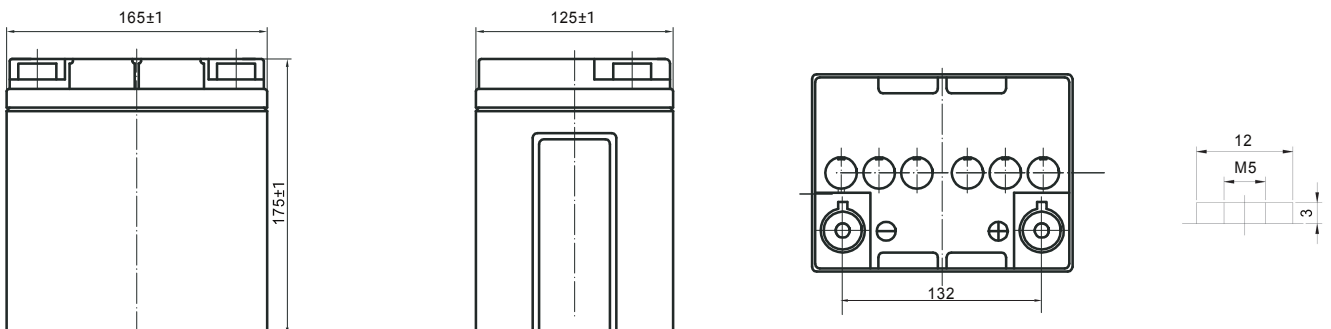
Specifications

Nominal Voltage	12V	Operating Temp. Range	Discharge: -20~50°C
Nominal Capacity	28Ah (C ₂₀ , 10.5V)		Charge: -10~50°C
Approx. Weight	8.6kg		Storage: -20~50°C
Terminal	M5	Cycle Use	Initial Charging Current less than 8.4A.
Container Material	ABS UL94 HB		Voltage 14.55V +1% at 20°C.
Rated Capacity (20°C)	28Ah/1.40A, 20hr, 10.5V	Standby Use	Temperature Coefficient -30mV/°C.
	26Ah/2.6A, 10hr, 10.5V		No limit on Initial Charging Current.
	24.64Ah/3.08A, 8hr, 10.5V		Voltage 13.65V +1% at 20°C.
	23.8Ah/4.76A, 5hr, 10.5V		Temperature Coefficient -20mV/°C.
	21Ah/7.0Ah, 3hr, 10.5V	Capacity affected by Temp.	40°C 103%
	17.6Ah/17.6A, 1hr, 9.6V		25°C 100%
Max. Discharge Current	420A (5s)		0°C 86%
Internal Resistance / Impedance (1kHz)	Approx. 11mΩ	Self Discharge	SSB batteries may be stored for up to 6 months at 20°C and then a freshening charge is required. For higher temperatures the time interval will be shorter.
Nominal Oper. Temp. R.	20±3°C	Life Expectancy	10-12 years according to EUROBAT



Dimensions

- **M5 Terminal** Unit: mm | Dimensions: 165 Length X 125 Width X 175 Height (175 Height incl. Terminal)



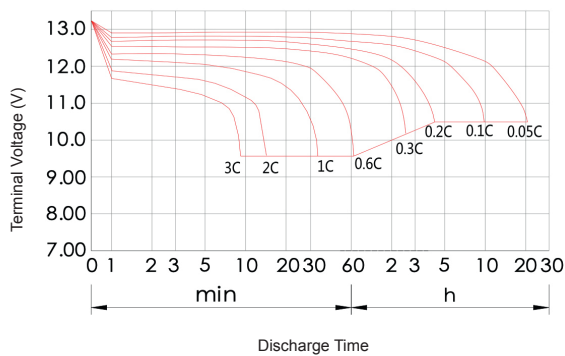
Constant Current Discharge (Amperes) at 20°C

F.V/Time	5min	10min	15min	30min	60min	2h	3h	4h	5h	8h	10h	20h
9.60V	95.9	64.8	51.3	28.6	17.6	9.95	7.14	5.71	4.86	3.14	2.64	1.42
9.90V	93.1	62.9	50.1	28.0	17.3	9.89	7.10	5.68	4.83	3.12	2.63	1.42
10.2V	89.2	60.3	48.2	27.2	16.8	9.80	7.05	5.64	4.79	3.10	2.62	1.41
10.5V	85.4	57.7	46.6	26.5	16.5	9.65	7.00	5.60	4.76	3.08	2.60	1.40
10.8V	80.5	54.4	44.1	25.6	16.0	9.41	6.79	5.43	4.62	2.99	2.55	1.37

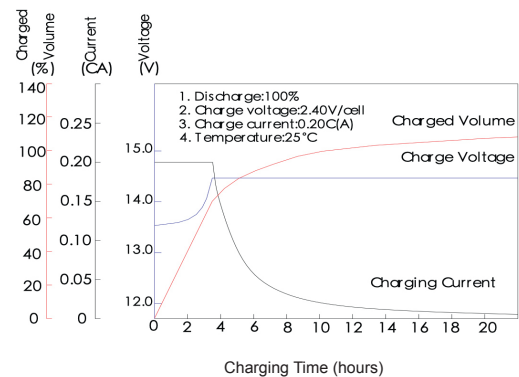
Constant Power Discharge (Watts/cell) at 20°C

F.V/Time	5min	10min	15min	30min	60min	2h	3h	4h	5h	8h	10h	20h
9.60V	1075	731	585	328	203	116	84.8	68.0	58.0	37.7	31.7	17.1
9.90V	1042	709	571	321	200	116	84.3	67.6	57.6	37.5	31.6	17.0
10.2V	1000	680	550	312	195	115	83.7	67.2	57.2	37.2	31.4	16.9
10.5V	957	651	531	304	191	113	83.2	66.7	56.8	37.0	31.2	16.8
10.8V	903	614	503	293	185	110	80.7	64.7	55.1	35.9	30.6	16.5

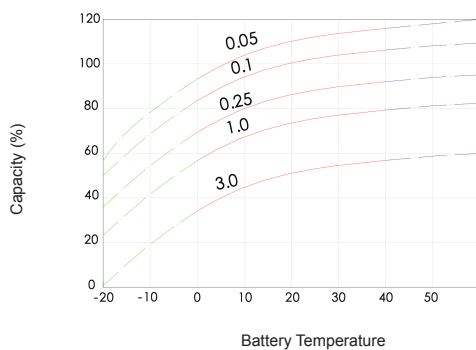
Discharge Characteristics



Float Charging Characteristics



Temperature Effects in Relation to Battery Capacity



Effect of Temperature on Long Term Float Life

