

# SBL500-12HR V0 Xtreme (12V134Ah)

## Applications

- Uninterruptable Power Supply (UPS)
- Electric Power System (EPS)
- Emergency backup power supply
- Emergency light
- Railway signal
- Alarm and security system
- Communication power supply
- DC power supply



## Certificates



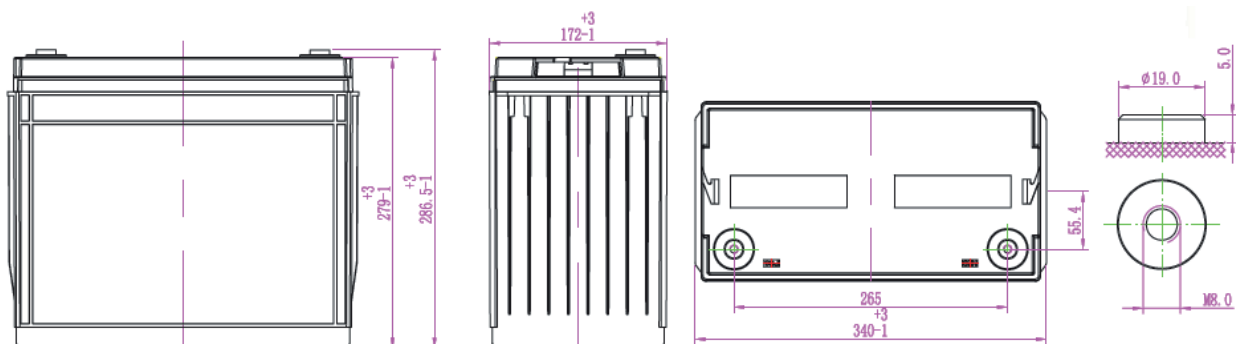
## Specifications

<b>Nominal Voltage</b>	12V	<b>Operating Temp. Range</b>	Discharge: -20~60°C
<b>Nominal Capacity</b>	134Ah (C <sub>10</sub> , 1.8V/cell)		Charge: -10~45°C
<b>Approx. Weight</b>	40.0kg		Storage: -20~60°C
<b>Terminal</b>	M8	<b>Standby Use</b>	Initial Charging Current less than 42A.
<b>Container Material</b>	ABS UL94 V0		Voltage 2.23-2.30V at 20°C.
<b>Rated Capacity (20°C)</b>	134Ah/13.40A, 10hr, 10.8V		Temperature Coefficient -20mV/°C.
	114.7Ah/22.94A, 5hr, 10.5V	<b>Capacity affected by Temp.</b>	40°C 103%
	105.18Ah/35.06A, 3hr, 10.5V		25°C 100%
	96.6Ah/96.6A, 1hr, 9.6V		0°C 86%
<b>Max. Discharge Current</b>	870A (5s)	<b>Self Discharge</b>	SSB batteries may be stored for up to 6 months at 20°C and then a freshening charge is required. For higher temperatures the time interval will be shorter.
<b>Internal Resistance / Impedance (1kHz)</b>	Approx. 3.8mΩ	<b>Life Expectancy</b>	>12 years according to EUROBAT
<b>Nominal Oper. Temp. R.</b>	20±2°C		

## Dimensions

### ■ M8 Terminal

Unit: mm | Dimensions: 340 Length X 172 Width X 279 Height (286.5 Height incl. Terminal)



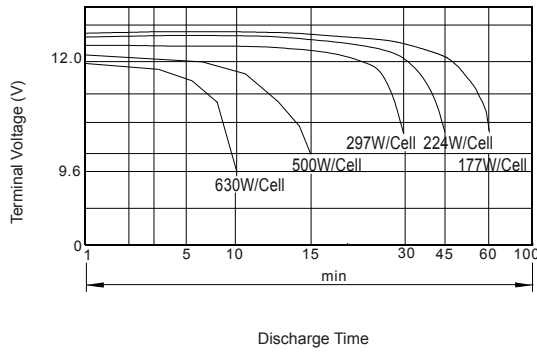
## Constant Current Discharge (Amperes) at 20°C

End Voltage	3min	5min	10min	15min	20min	25min	30min	45min	60min	90min	3h	5h	8h	10h
1.60V/cell	520	441	348	276	238	207	179	121	96.6	70.04	37.79	24.47	16.36	13.94
1.65V/cell	504	432	327	263	229	198	173	117	92.1	68.07	36.72	23.96	16.01	13.80
1.67V/cell	498	428	318	258	226	195	171	116	90.3	67.36	36.45	23.64	15.83	13.80
1.70V/cell	486	412	309	251	214	184	161	110	88.2	66.55	36.05	23.40	15.64	13.67
1.75V/cell	469	401	298	239	202	176	154	108	85.1	65.03	35.06	22.94	15.36	13.53
1.80V/cell	456	387	290	229	195	171	149	105	81.9	63.34	34.08	22.38	15.01	13.40

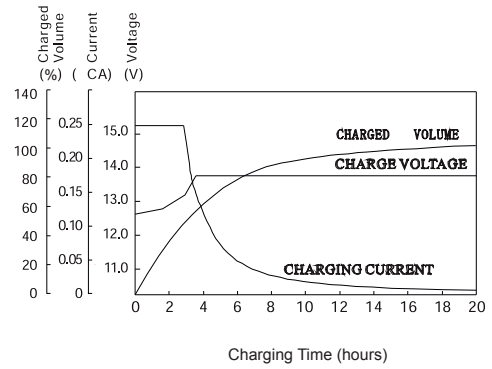
## Constant Power Discharge (Watts/cell) at 20°C

End Point	3min	5min	10min	15min	20min	25min	30min	45min	60min	90min	3h	5h	8h	10h
1.60V/cell	1056	834	630	503	424	371	331	246	189	127.99	75.20	48.42	32.01	26.51
1.65V/cell	1040	818	614	501	419	364	324	240	187	124.59	73.41	47.44	31.33	25.99
1.67V/cell	1034	812	607	500	417	361	321	238	186	122.87	72.39	46.92	31.00	25.73
1.70V/cell	1012	783	568	455	391	347	311	231	182	121.19	71.40	46.41	30.69	25.47
1.75V/cell	973	759	528	438	381	334	297	224	177	117.79	69.60	45.42	30.03	24.91
1.80V/cell	944	726	521	421	368	321	287	216	173	114.57	67.59	44.22	29.35	24.40

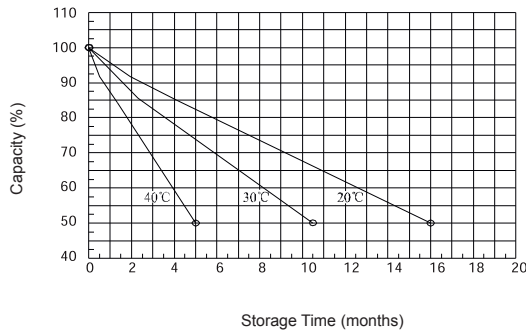
## Discharge Characteristics



## Float Charging Characteristics



## Self-Discharge Characteristic



## Effect of Temperature on Long Term Float Life

