

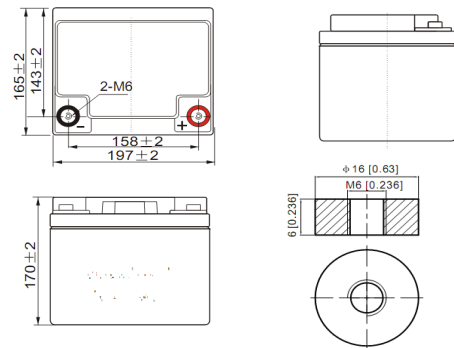
## YPC-Series - Valve Regulated Lead Acid Battery

### YPC45-12

SPECIFICATIONS		
Nominal voltage	12	V
20-hr rate Capacity to 10.5V at 20°C	46.8	Ah
10-hr rate Capacity to 10.8V at 20°C	44.0	Ah
DIMENSIONS		
Length	197 (±2)	mm
Width	165 (±2)	mm
Height	170 (±2)	mm
(height over terminals)	170 (±2)	mm
Mass (typical)	14.5	kg
TERMINAL TYPE		
Female threaded terminal	M6	mm
Torque	5.4	Nm
OPERATING TEMPERATURE RANGE		
Storage (in fully charged condition)	-20°C to +60°C	
Charge	-15°C to +50°C	
Discharge	-20°C to +60°C	
STORAGE		
Capacity loss per month at 20°C (approx)	3	%
CASE MATERIAL		
Standard Option	ABS (UL94:HB)	
Flame retardant option (FR)	ABS (UL94:V0)	
CHARGE VOLTAGE		
Float charge voltage at 20°C	13.65 (±1%)	V
	2.275 (±1%)	V/cell
Float Charge voltage temperature correction factor (for variations from the standard 20°C)	-3	mV/cell/°C
Cyclic (or Boost) charge at 20°C	14.5 (±3%)	V
	2.42 (±3%)	V/cell
Cyclic Charge voltage temperature correction factor (for variations from the standard 20°C)	-4	mV/cell/°C
CHARGE CURRENT		
Float charge current limit	No limit	A
Cyclic (or Boost) charge current limit	11.70	A
MAXIMUM DISCHARGE CURRENT		
1 second	540	A
1 minute	468	A
CYCLIC LIFE DATA		
100% DOD down to 80% capacity	300	cycles
75% DOD down to 80% capacity	500	cycles
50% DOD down to 80% capacity	600	cycles
25% DOD down to 80% capacity	1400	cycles
IMPEDANCE		
Measured at 1 kHz	9	m
PERFORMANCE & CHARACTERISTICS		
Refer to the technical short form	YPC	
DESIGN LIFE		
EUROBAT Classification: Standard Commercial	3 to 5	years
SAFETY		
Installation		
Can be installed and operated in any orientation except permanently inverted		
Handles		
Batteries must not be left permanently suspended by their handles (where fitted)		
Vent valves		
Each cell is fitted with a low pressure release valve to allow gasses to escape and then reseal.		
Gas Release		
VRLA Batteries release hydrogen gas which can form explosive mixtures in air. Do not place inside a sealed container		
Recycling		
YUASA's VRLA batteries must be recycled at the end of life in accordance with local and national laws and regulations		



### LAYOUT



### 3RD PARTY CERTIFICATIONS

ISO 9001 - Quality Management Systems  
 ISO 14001 - Environmental Management Systems  
 EN 18001 - OHSAS Management Systems



UNDERWRITERS LABORATORIES Inc.

### STANDARDS

IEC61056  
 IEC60895-21/22



ALL DATA IS SUBJECT TO CHANGE WITHOUT NOTICE  
 Issue No.: V.5 / Issue Date: Mar 2012



YUASA BATTERY SALES UK LTD.  
 Unit 13, Hunts Rise  
 South Marston Industrial Estate  
 Swindon  
 SN3 4TG  
 UK