



FGG24505

12Volt 45Ah

Specifications

Nominal Voltage(V) **12V**

Nominal Capacity

20 hour rate	(2.25A	to	10.50V)	45Ah
5 hour rate	(7.65A	to	10.20V)	38.25Ah
1 hour rate	(27A	to	9.60V)	27Ah
1 C	(45A	to	9.60V)	24Ah

Weight **Approx. 13.3kg(29.3Lbs.)**

Internal Resistance (at 1KHz) **Approx. 8 mΩ**

Maximum Discharge Current for 5 seconds: **540A**

Charging Methods at 25 (77)

Cycle use:

Charging Voltage **13.8 to 14.4V**

Coefficient -5.0mv/ /cell

Maximum Charging Current : **13.5A**

Standby use:

Float Charging Voltage **13.50 to 13.80V**

Coefficient -3.0mv/ /cell

Operating Temperature Range

Charge **-15 (5) to 40 (104)**

Discharge **-15 (5) to 50 (122)**

Storage **-15 (5) to 40 (104)**

Charge Retention (shelf life) at 20 (68)

1 month **92%**

3 month **90%**

6 month **80%**

Case Material **ABS**

(UL94 HB flame retardant)

Terminal **F8**

Description of torque value of hard ware for the terminals:

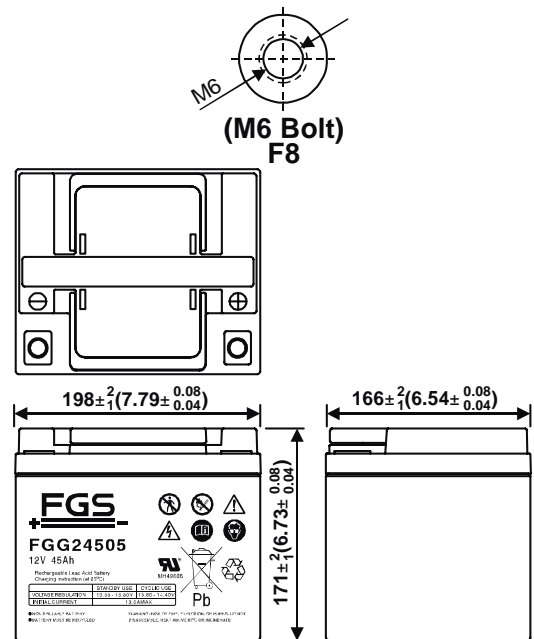
Recommended torque value **M6: 5.39 N-m (55kg-cm)**

Maximum allowable torque value **M6: 8.82 N-m (90kg-cm)**



Dimensions

mm(inch)



(v) FOR 12V BATTERY Discharge Time VS. Discharge Current (25)

